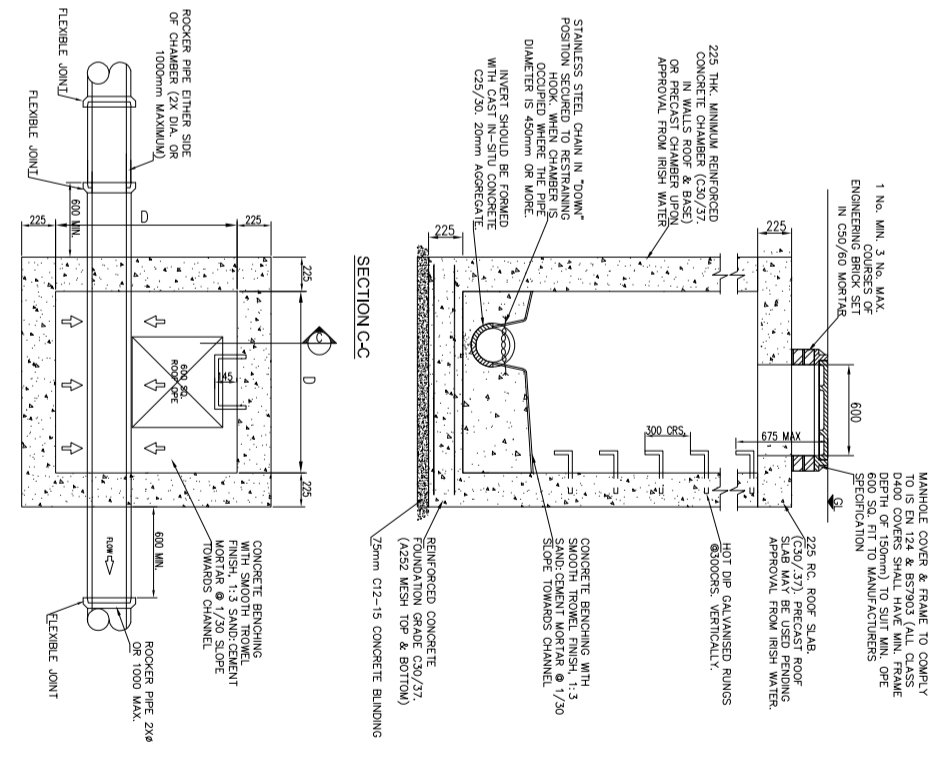
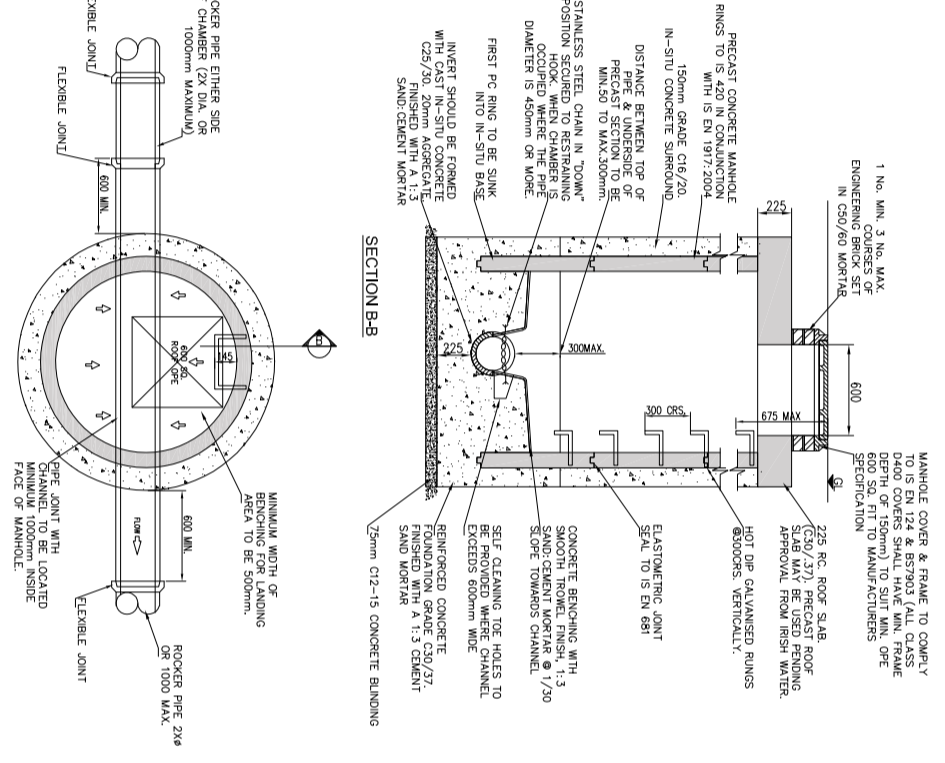
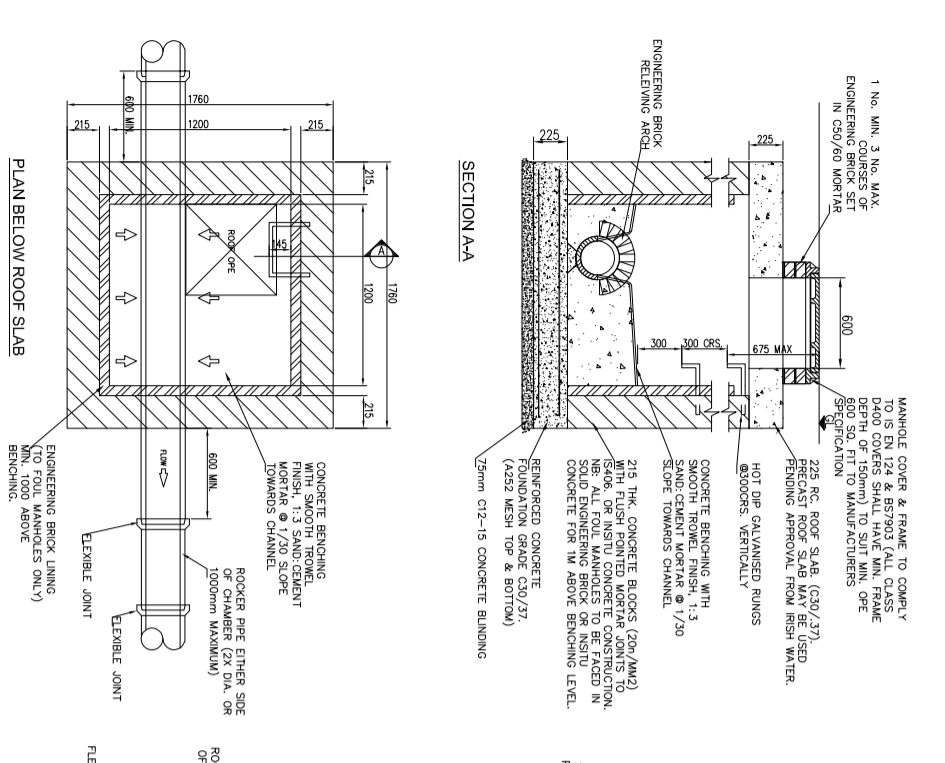


MANHOLE NOTES:

01. ALL WASTEWATER MAINS TO BE REPAIRED & CONSTRUCTED TO COMPLY WITH RISH WATER CONNECTIONS DEVELOPER SERVICES CODE OF PRACTICE FOR WASTEWATER INFRASTRUCTURE DOCUMENT: IW-CDS-0005-01
02. ALL WASTEWATER DETAILS TO COMPLY WITH RISH WATER CONNECTION & DEVELOPER SERVICES WASTE WATER DOCUMENT: IW-CDS-0005-01
03. ALL DIMENSIONS ARE IN MILLIMETRES (mm) UNLESS NOTED OTHERWISE.
04. IN-SITU MANHOLES TO HAVE A MINIMUM WALL AND FLOOR AND 300mm MINIMUM DEPTH TO SUIT MIN. FRAME PROVIDED BY THE DEVELOPER AND SUBMITTED TO RISH WATER FOR REVIEW.
05. MANHOLES GREATER THAN 2m IN DEPTH WILL REQUIRE A DETAILED STRUCTURAL DESIGN AND BE SUBJECT TO RISH WATER APPROVAL.
07. MAXIMUM DEPTH OF BLOCKWORK MANHOLE IS 1.2m (THE USE OF BLOCKWORK IN DEEPER MANHOLES WILL BE CONSIDERED BY WHITTAKER ENGINEERING).
08. THICKER MANHOLE BASES REQUIRED FOR SERVICES IN EXCESS MINIMUM SIZE.
09. WALLS IN BLOCKWORK MANHOLES FOR SOIL SERVICES TO BE FLUSH POINTED AND NOT PLASTERED INTERNALLY. INTERNAL LINING OF ENGINEERING BRICK TO EN 771-1 TO A HEIGHT OF 150mm ABOVE THE MANHOLE CHAMBER SHALL BE BRANDED TO BEAKDOWN (SANDY BRICK) COVERED WITH EN 12421.
10. PRECAST MANHOLES UNITS COMPLYING WITH REQUIREMENTS OF EN 1917 AND BS 911 PART 3.
11. APPROVED PRECAST CONCRETE BASES MAY BE USED TO REINFORCE FOUNDATION GRADE C30/37. WATER APPROVAL AND COMPLYING WITH BS 911 PART 2 2002 TO APPROVAL FROM RISH WATER.
13. MANHOLE ROOF SLABS SHOULD CONSERVE FOR REINFORCED CONCRETE SLAB OF IN-SITU CONCRETE C30/37 WITH A MINIMUM THICKNESS OF 225mm DESIGNED TO CARRY ALL LIVE LOADS. CONCRETE ROOF SLABS MAY BE USED SUBJECT TO RISH WATER APPROVAL AND COMPLIANCE WITH BS 911 PART 4: 2002.
14. 20mm ALL AROUND, 10mm DEEP CONCRETE FLUSH WITH PROTECTIVE STAINLESS STEEL METAL BAND AROUND COVERS IN GREEN AREAS.
15. ALL CHAMBERS TO BE CHECKED FOR LEAK BY THE DEVELOPER BASED ON GROUND CONDITIONS WITHIN THE SITE SHOULD BE SUBJECT TO APPROVAL FROM RISH WATER.
16. STEPS ARE REQUIRED IN MANHOLES UP TO A DEPTH OF 2.2m DEPTH IN EXCESS OF 2.5m & ARE TO COMPLY WITH EN 14368 & WITH BS4211.
17. ROOFING EYE CHAMBER SHALL BE COVERED WITH APPROVED HEAVY DUTY METAL COVERS TO IS 281 AND BS 5594. COVER AND FRAME SHALL BE SUITABLE FOR ROAD AND TRAFFIC LOADS. CONCRETE ROOF SLAB IS SUBJECT TO THE APPROVAL OF RISH WATER.
18. AN INSPECTION CHAMBER SHOULD BE LOCATED AT OR WITHIN 1m OF THE PROPERTY BOUNDARY ON THE PRIVATE SIDE OF THE COURTYARD, IF PRACTICABLE.
19. ANY PIPE AND ASSOCIATED ACCESS UPSTREAM OF THE POINT OF CONNECTION TO THE PUBLIC SEWER IS A PRIVATE DRAIN AND BUILDING REGULATIONS.
20. ACCESS POINTS SHOULD BE LOCATED SO THAT THEY ARE ACCESSIBLE AND APPARENT TO THE MAINTENANCE AT ALL TIMES FOR USE. THEY SHOULD AVOID HEAVY GARDENS OR ENCLOSED SERVICE AREAS. SPECIAL DESIGN, SPECIAL ETC.
21. PROPRIETARY PREFABRICATED INSPECTION CHAMBER UNITS MAY BE USED, SUBJECT TO APPROVAL FROM RISH WATER.
22. CONCRETE CHAMBERS SHALL BE SURROUNDED BY A MINIMUM OF 150mm COMPACTED GRADE 8/4 OR GRADE 6/8 MATERIAL.
23. ALL CONCRETE TO BE IN ACCORDANCE WITH IS EN 206: 2013.
24. FOR ACCESS POINTS IN NON-TRAFFICED AREAS AROUND BUILDINGS AT PIPE HEADS, BENDS, JUNCTIONS OR CHANGES IN PIPE SIZES, PROPRIETARY AJS MAY BE USED FOR COVERS TO BE SUBJECT TO ENGINEERS APPROVAL. INTERNAL AJ SIZE MAY BE NO LESS THAN 300mm DIAMETER.
25. THE MINIMUM DEPTH OF MANHOLE CHAMBER SEE WORKING SERVICE MUST BE AVAILABLE AT GROUND LEVEL TO ACCESS CHAMBER.



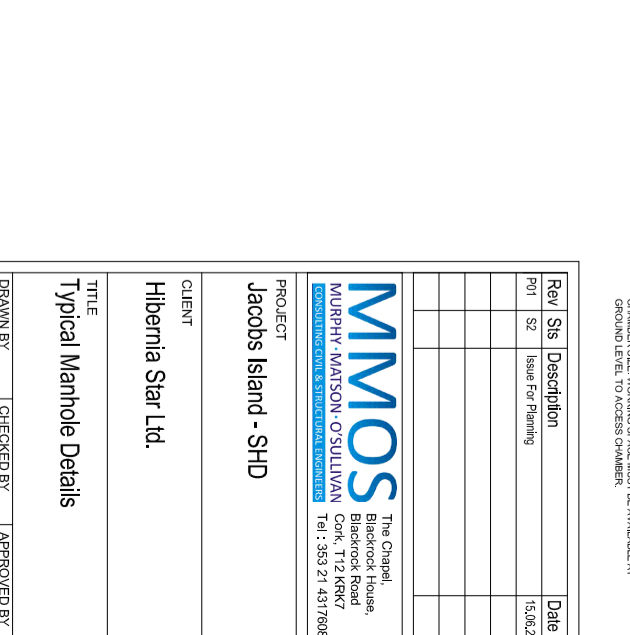
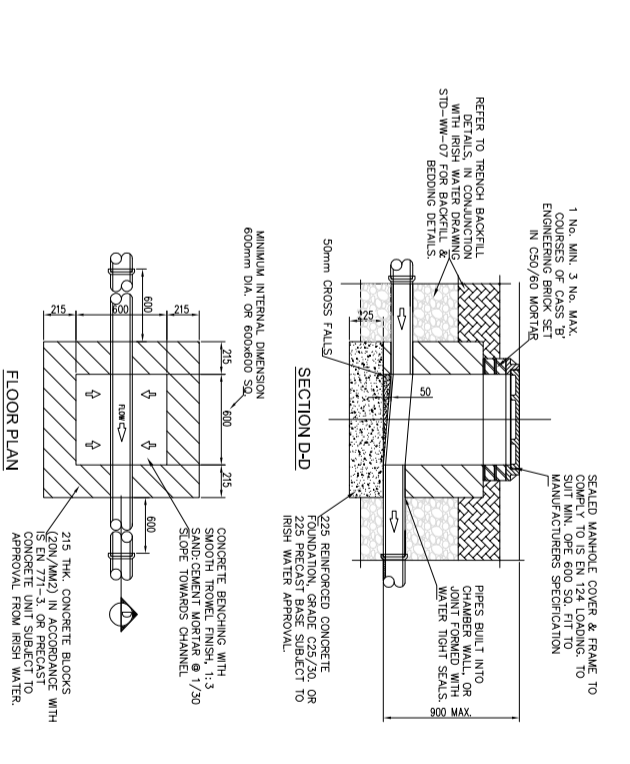
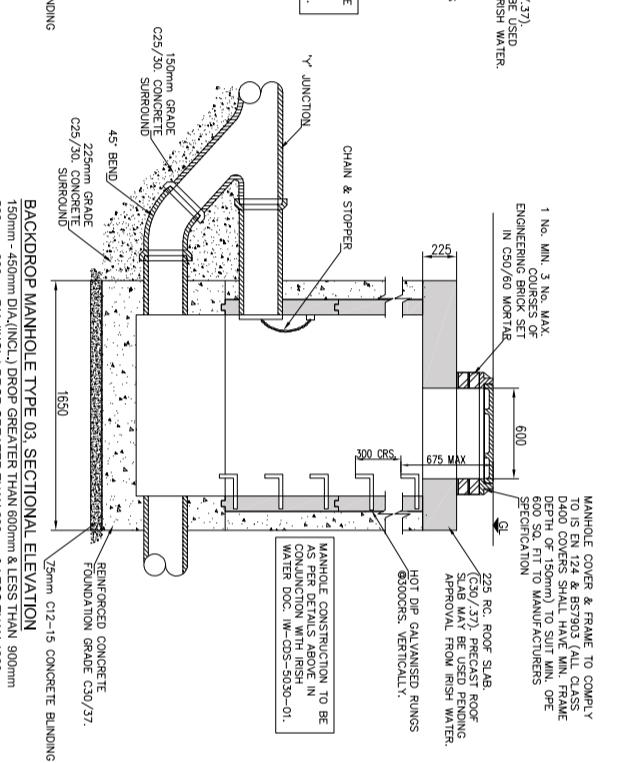
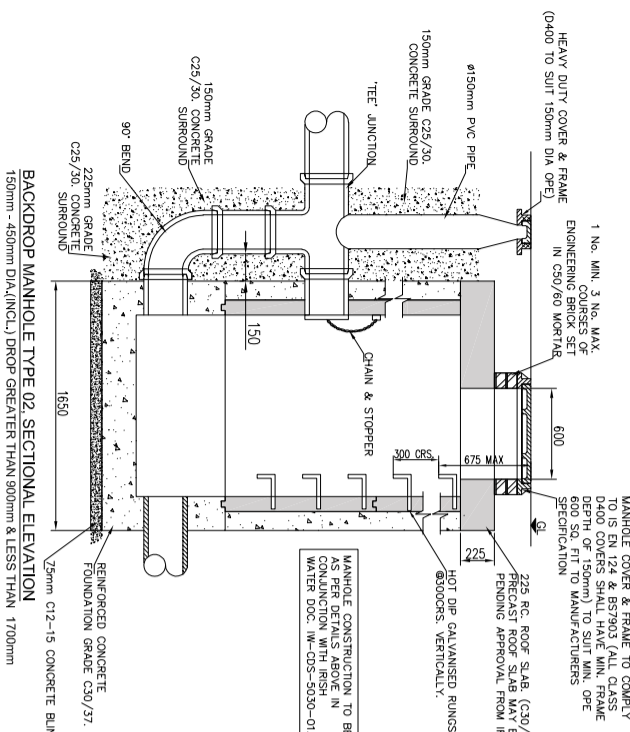
BLOCKWORK MANHOLE FOR PIPE DIAMETERS < 450mm
MAX. DEPTH TO INVERT 1.2M (UNLESS OTHERWISE AGREED WITH MMS & RISH WATER)

PRE-CAST CONCRETE MANHOLE

MINIMUM MANHOLE DIAMETERS	INTERNAL DIMENSION OF MANHOLE (mm)
LESS THAN 375mm	1200
375 TO 450	1350
500 TO 750	1500

IN-SITU CONCRETE MANHOLE

MINIMUM MANHOLE DIMENSION "D"	INTERNAL DIMENSION OF MANHOLE (mm)
LESS THAN 375mm	1200
375 TO 450	1350
500 TO 750	1500



Typical Manhole Details

DRAWN BY: B.L. CHECKED BY: M.M. APPROVED BY: M.M.

SCALE: AS SHOWN PROJECT NUMBER: 21168

DOCUMENT REFERENCE: 21168-MMS-ZZ-ST-DR-C-10206

PROJECT ORIGINATOR: ZONE LEVEL TYPE: DCP: LINE NUMBER: P01

MMOS The Chapel, Blackrock House, Cork, T12 RBK7

MURPHY, WATSON, O'SULLIVAN Tel: 353 21 4317898

PROJECT: Jacobs Island - SHD

CLIENT: Hibernia Star Ltd.

Rev	Sis	Description	Date
P01	S2	Issue For Planning	15.08.22